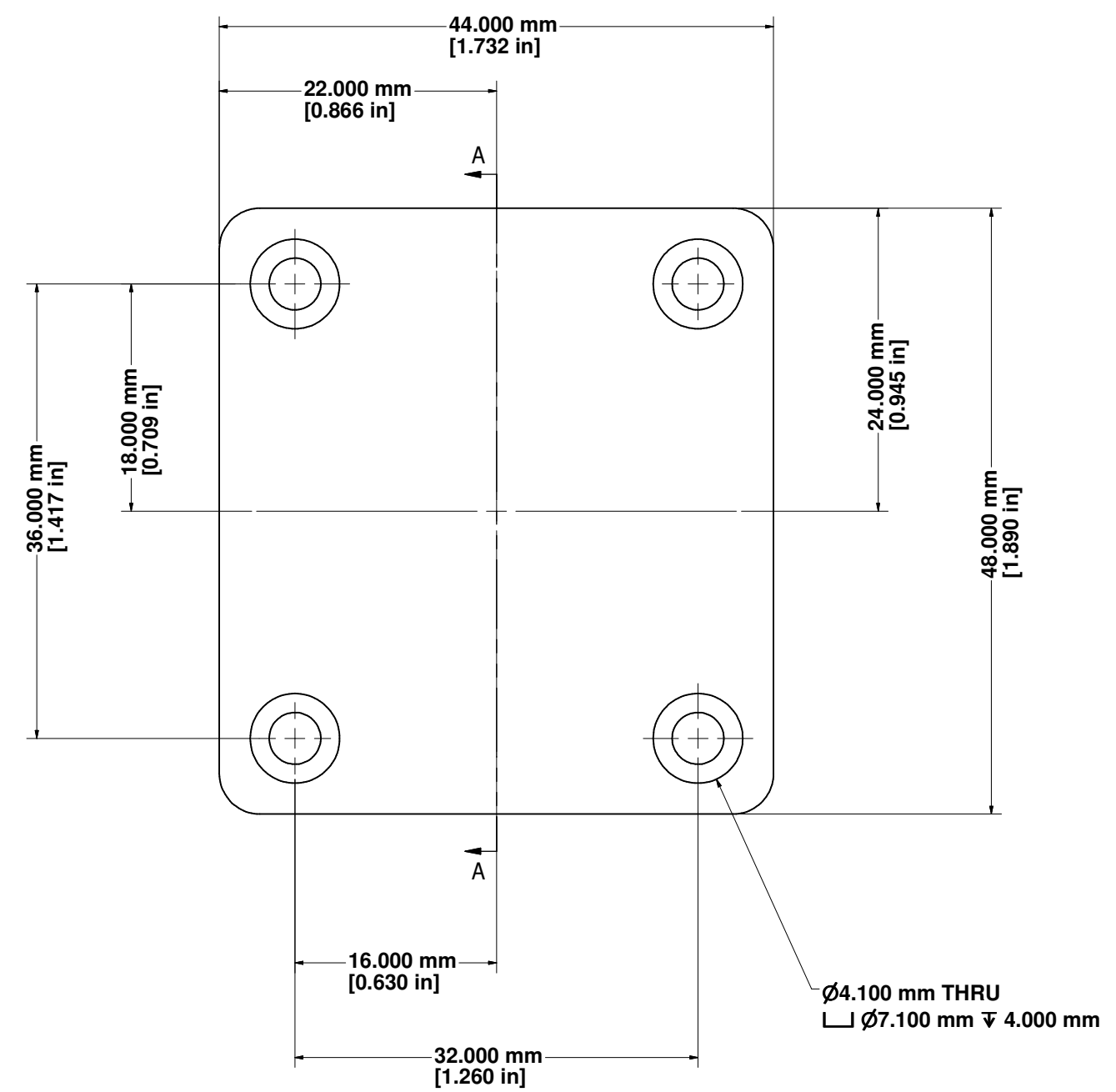
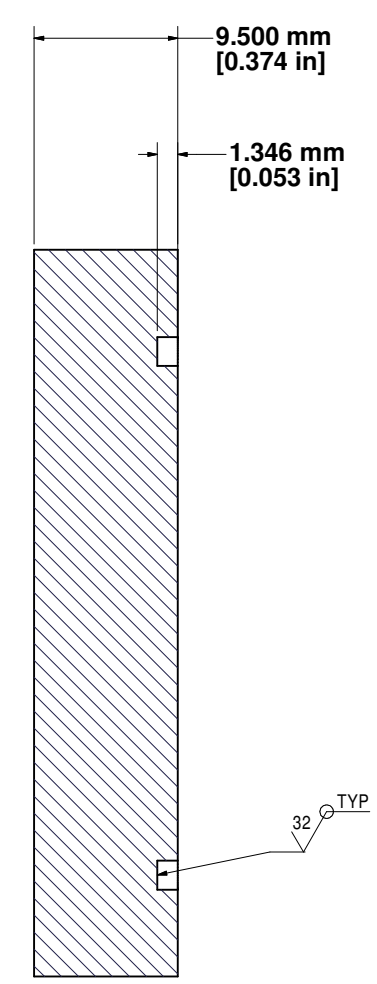


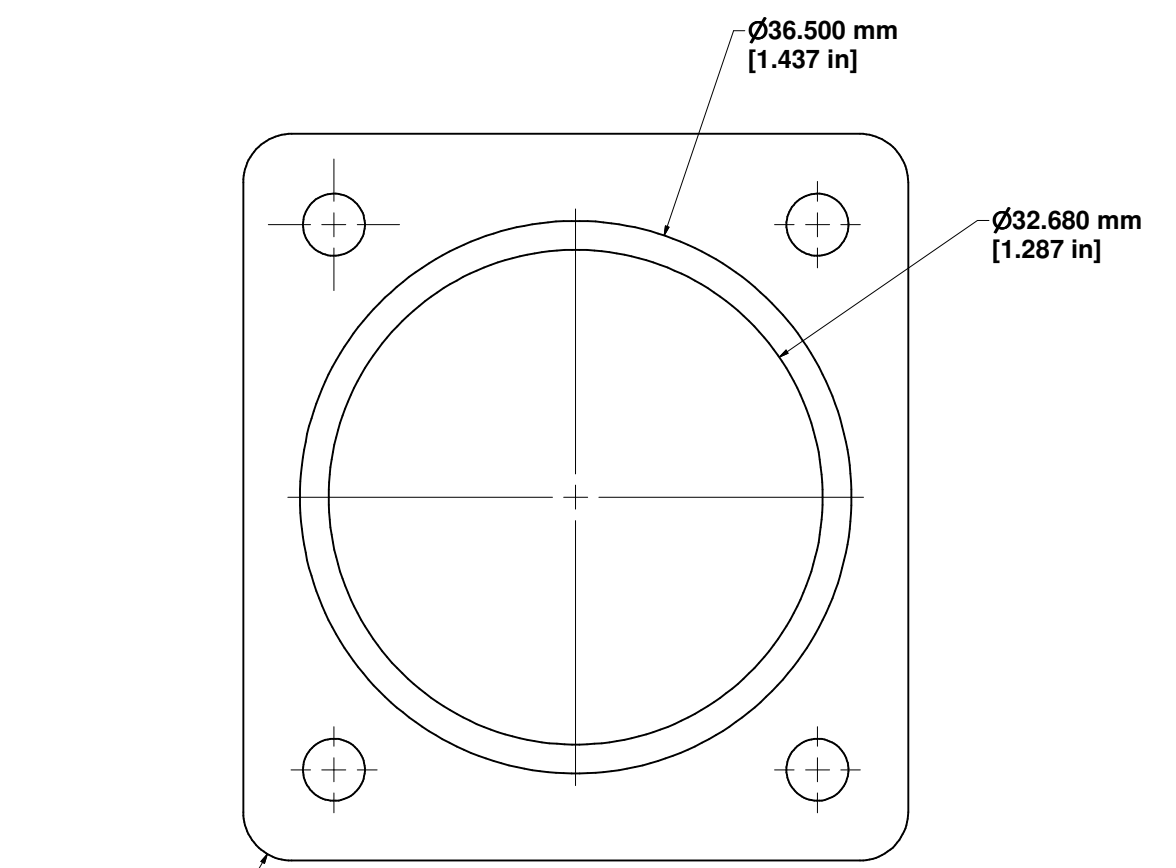
REVISIONS				
SYM.	ZONE	DESCRIPTION	DATE	APP.
A		REMOVED HIDDEN LINES TMK	082108	DPP
B		ORING GROOVE WAS 1.45mm DP. TMK	082908	DPP



SCALE 4 : 1



SECTION A-A
SCALE 4 : 1



SCALE 4 : 1

ITEM	DWG. NO.	DESCRIPTION	G1	G2	G3	REMARKS	REV.		
			QUANTITY						
PRINT DISTR.	PLOT DATE: 8/29/2008 CAD FILE NAME: 6080-127 Light Insert Blank-Off.idw								
CR-1	6080-127	UNLESS OTHERWISE SPECIFIED: DIMENSIONS ARE IN INCHES: TOLERANCES ON: .0 ± .02 .00 ± .010 .000 ± .005 FRACTIONS ± 1/32 ANGLES ± 0.5° ALL SURFACES				CORNELL UNIVERSITY Floyd R. Newman Laboratory Ithaca, NY 14853			
REV. B		CHECKED BY: Peterson APPROVED BY: Peterson	DRAWN BY: MDS	DRAWN FOR: Peterson	DATE: 2/5/2008	SCALE: Noted	D	6080-127 SH. NO. 1 OF 1	REV. B