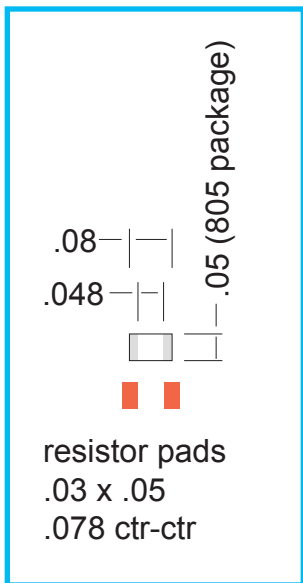
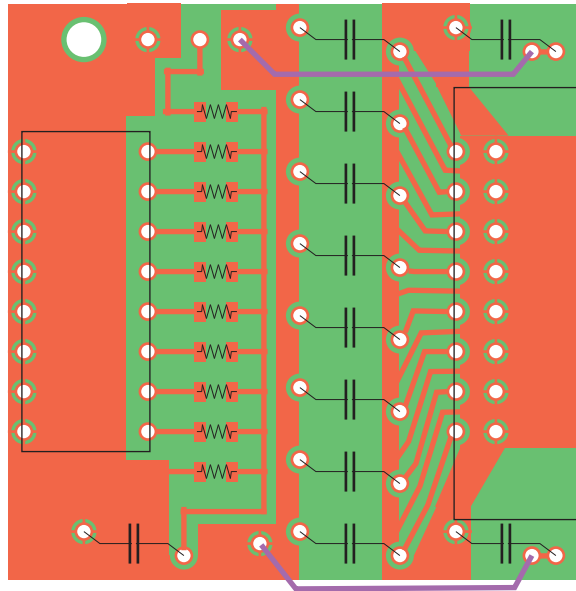


# TPC1: ReadoutHVdistribution 6080-004



jumper (2 places)

receptacle: 1-535512-8  
(arrow points left (out))

3-shrouded header:  
103165-4  
(pins point right (out))

surface mount resistors (10)  
capacitors (11)