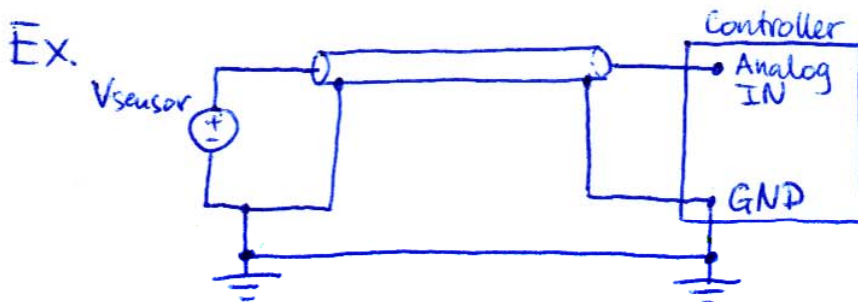


③ Magnetic coupling

- time varying B-field induces voltage _____
- low freq. B-field is not easily shielded by metals

To reduce

- avoid



②

- use

- use magnetic shielding :

- use isolation transformers
opto-isolators

④ RF coupling

- wire leads, circuit parts can act as resonant pickups

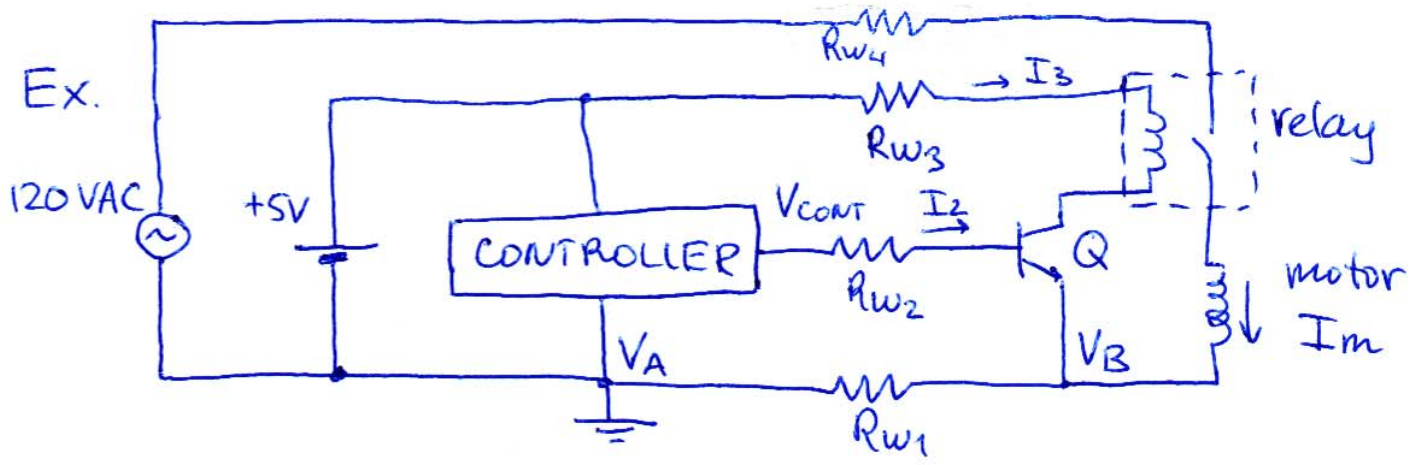
To reduce

- use shielding

- keep short leads

⑤ Resistive coupling

- wires \neq equipotentials, have finite resistance
- \Rightarrow currents flowing thru ground lines can generate



To reduce

- use low resistance ground wires (copper busbars in extreme cases)
- separate grounds for _____ level circuit parts

